





# Which screws to use

	Qty
1. 	_____
2. 	_____
3. 	_____
4. 	_____

# INSTRUCTIONS

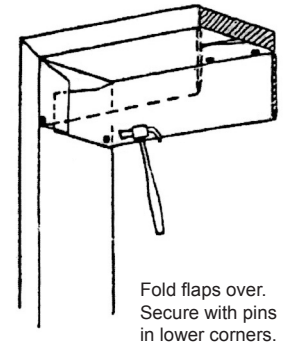
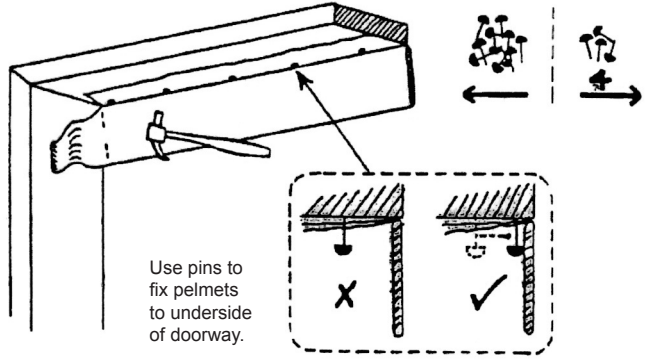
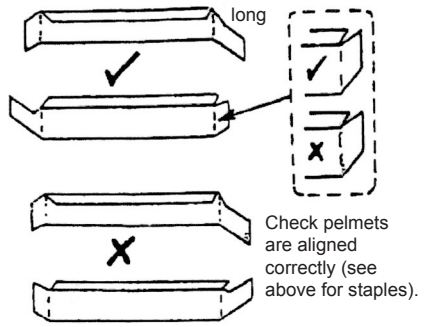


Packed & Quality Checked by: \_\_\_\_\_ on \_\_\_\_ / \_\_\_\_ / \_\_\_\_

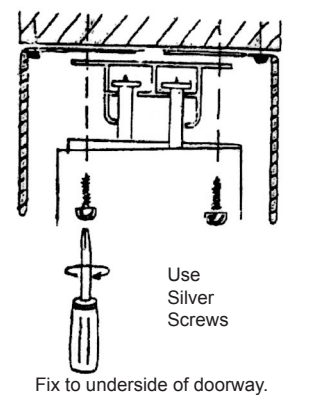
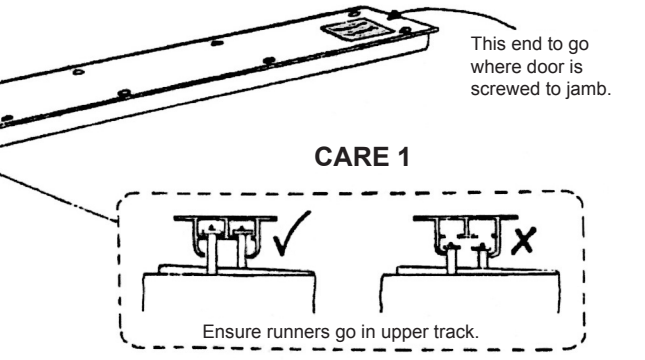
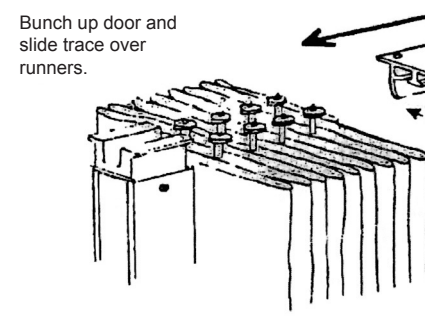
- Door \_\_\_\_\_
- Track \_\_\_\_\_
- Channel \_\_\_\_\_
- Pelmets \_\_\_\_\_
- Strap \_\_\_\_\_
- Fixings \_\_\_\_\_

- Options \_\_\_\_\_
- Latch \_\_\_\_\_
- Latch & Privacy Snib \_\_\_\_\_
- Commercial key lock & key \_\_\_\_\_
- Aluminium Pelmets \_\_\_\_\_
- Aluminium Track \_\_\_\_\_

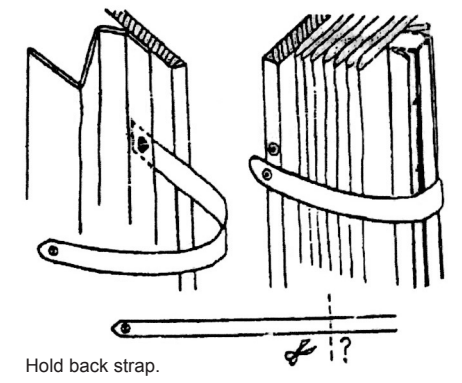
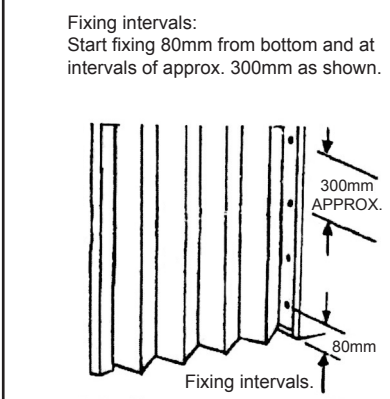
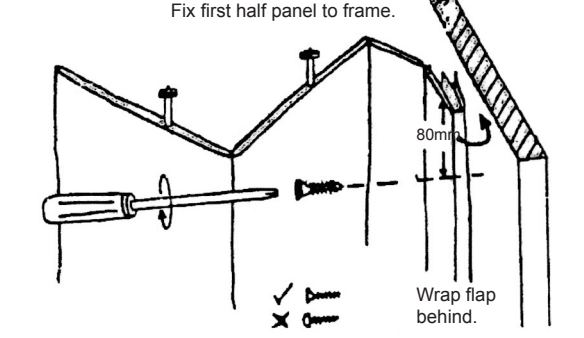
## 1. PELMETS



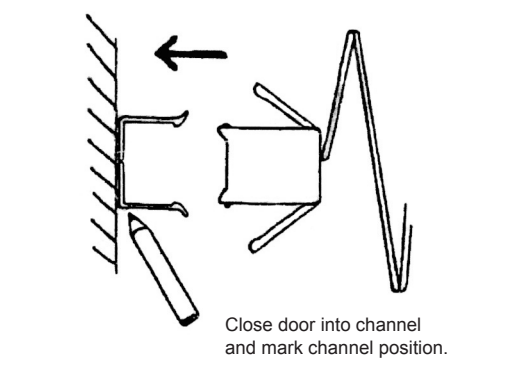
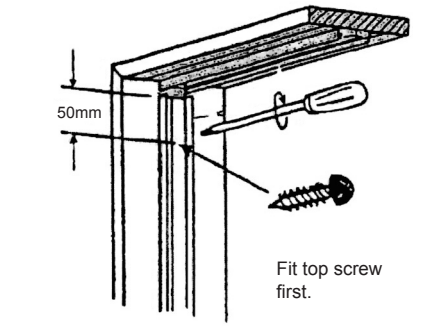
## 2. TRACK



## 3. DOOR



## 4. CHANNEL




**FOLDING DOORS**

Ph: (07) 3266 4807  
 Fax: (07) 3256 6494  
 Email: sales@foldingdoors.com.au  
 Web: www.foldingdoors.com.au