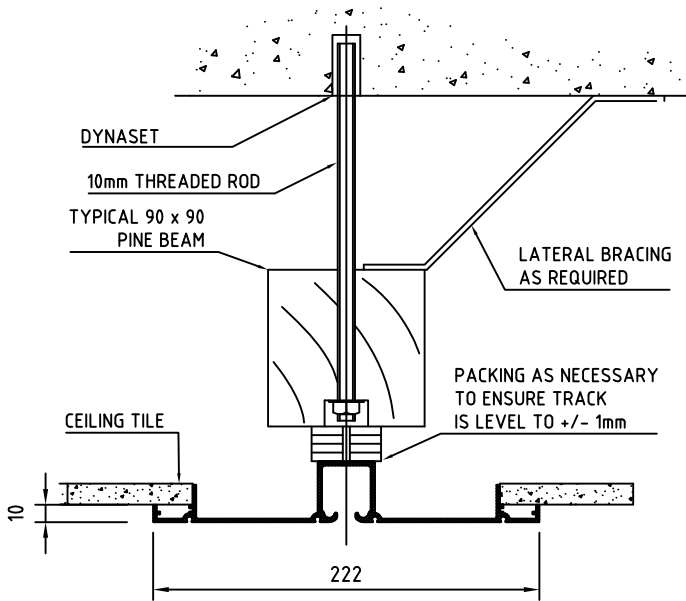


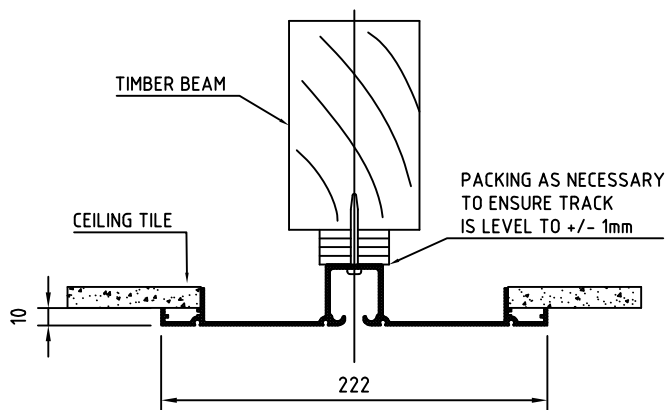


Acoustic Accordion



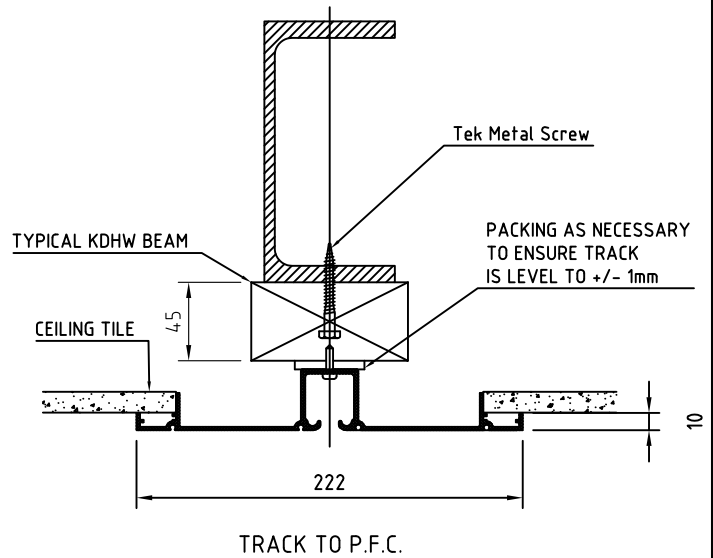
TRACK TO TIMBER FROM CONCRETE

FOR USE IN SUSPENDED CEILINGS
FIXING TO STEEL BEAMS ABOVE
OR ANCHORED INTO CONCRETE ABOVE

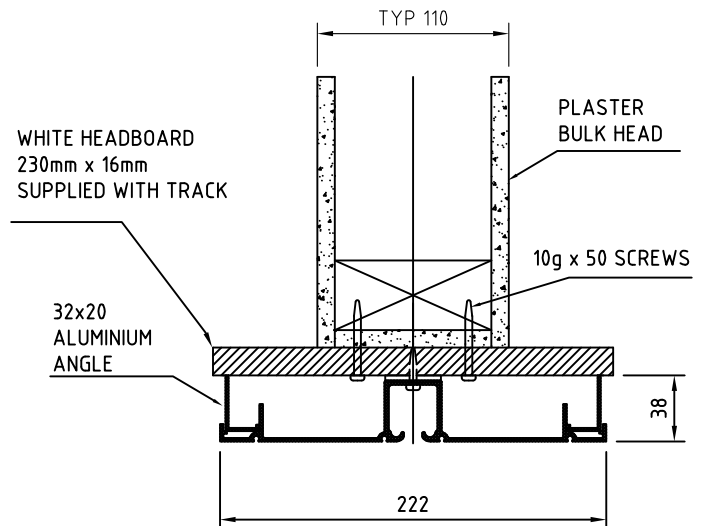


TRACK DIRECT TO TIMBER

WHERE ACCESS ABOVE CEILING IS
DIFFICULT, SUITABLE BEAM MAY BE
SUPPORTED AT EACH END BY SUITABLE
KD HARDWOOD SECTION
(MAXIMUM DEFLECTION 5mm UNDER LOAD)



TRACK TO P.F.C.



SURFACE MOUNTED TRACK

TYPICAL HEADWORK TRACK FIXINGS

- 4.5 X 50 CSK SCREW INTO WHITE HEADBOARD AND INTO OVERHEAD SUPPORT.
- 10G X 50 PAN HEAD INTO TRACK AND OVERHEAD SUPPORT. HOLES ARE FOR PAN HEAD SCREWS ARE PRE-DRILLED.

A	Headboard text to read MDF	07-02-11
REV	REVISION REMARKS	DATE

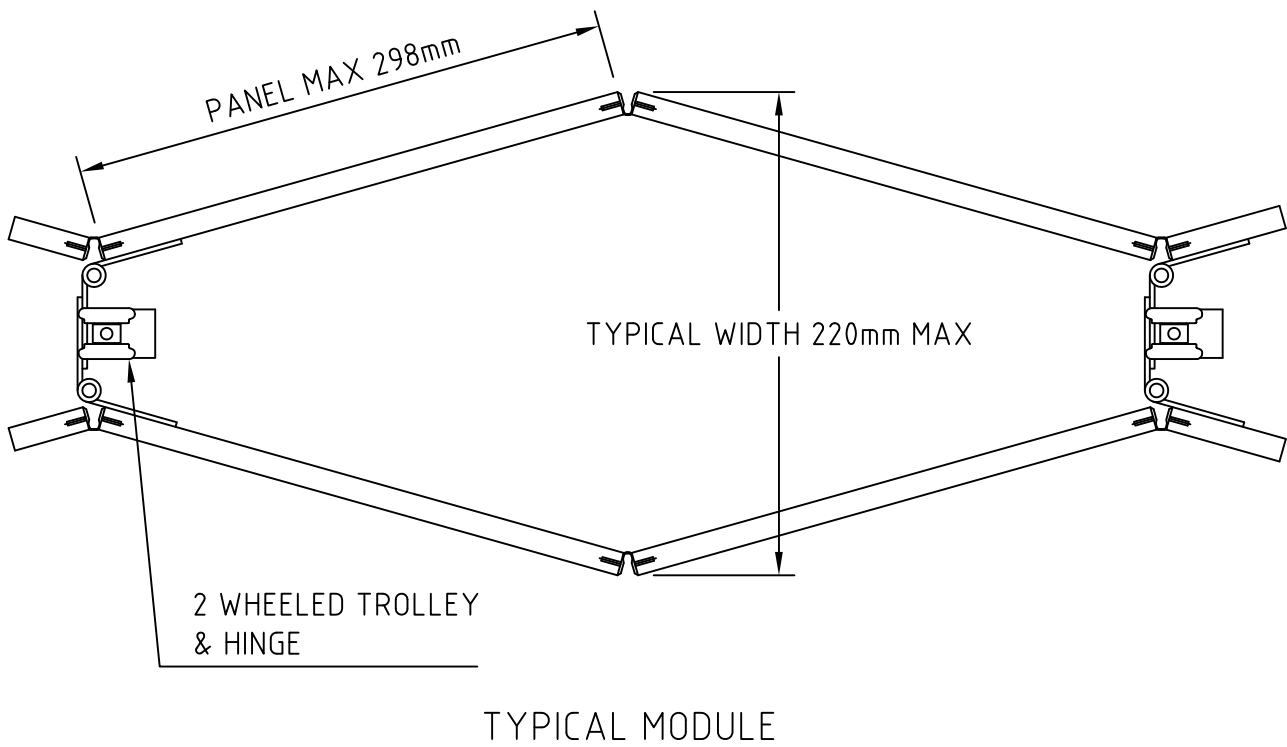
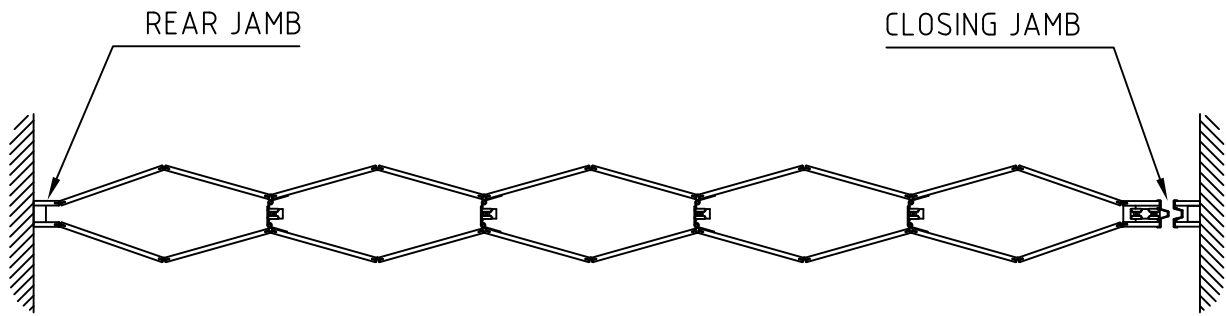
TITLE: HEADWORK OPTION

PRODUCT: TIMBERLINE ACCORDION

DRAWING NUMBER: FA-0101

SEQUENCE NUMBER: 1





REV	REVISION REMARKS	DATE

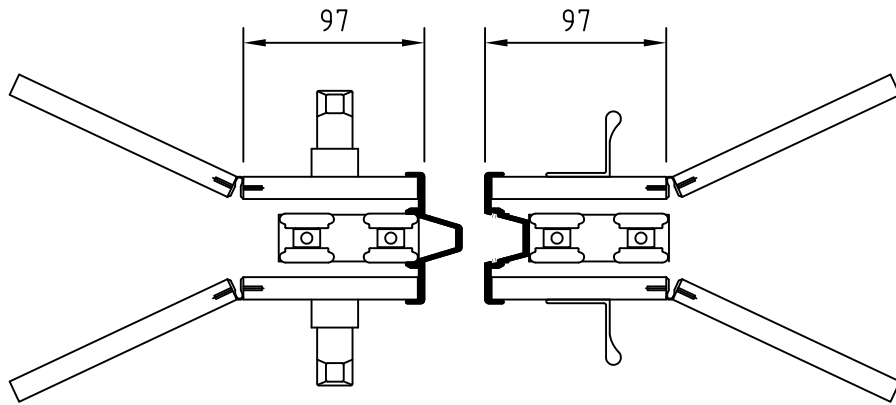
TITLE: **PLAN VIEWS - SHEET 1 OF 2**



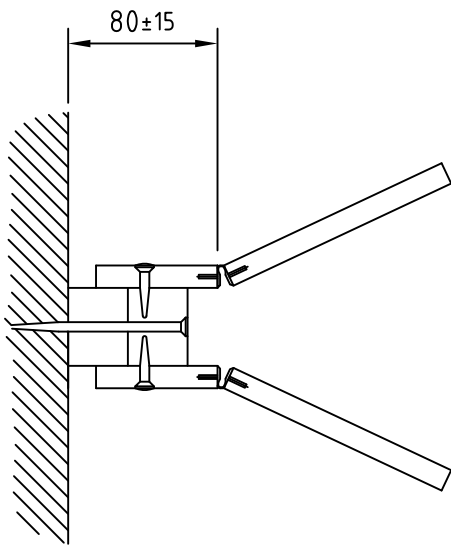
PRODUCT: **TIMBERLINE ACCORDION**

DRAWING NUMBER: **FA-0102**

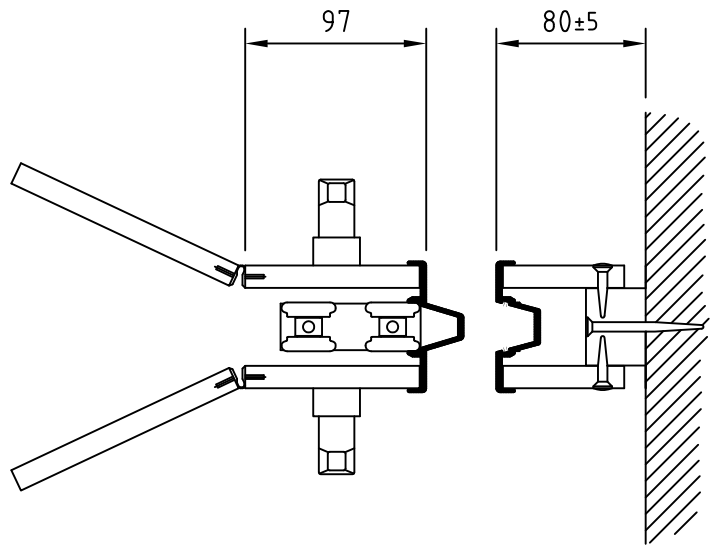
SEQUENCE NUMBER: **2**



BIPARTING PAIR - CLOSING JAMBS



REAR JAMB



CLOSING JAMB

A	Included correct handle	08-02-11
REV	REVISION REMARKS	DATE

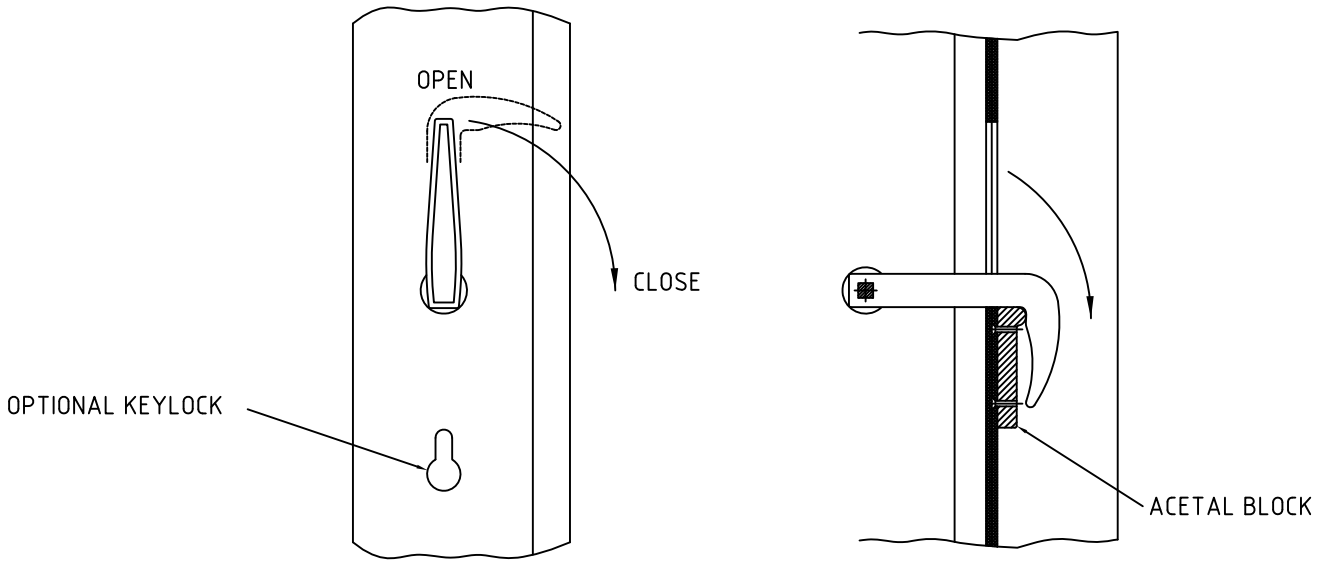
TITLE: PLAN VIEW - SHEET 2 OF 2

PRODUCT: TIMBERLINE ACCORDION

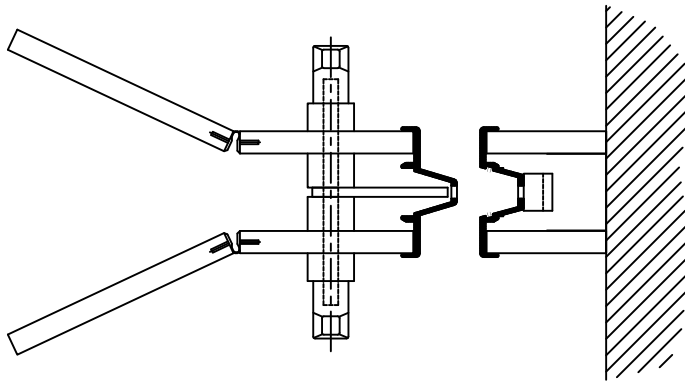
DRAWING NUMBER: FA-0103

SEQUENCE NUMBER: 3





SECTION SHOWING DRAWTIGHT OPERATION



REV	REVISION REMARKS	DATE

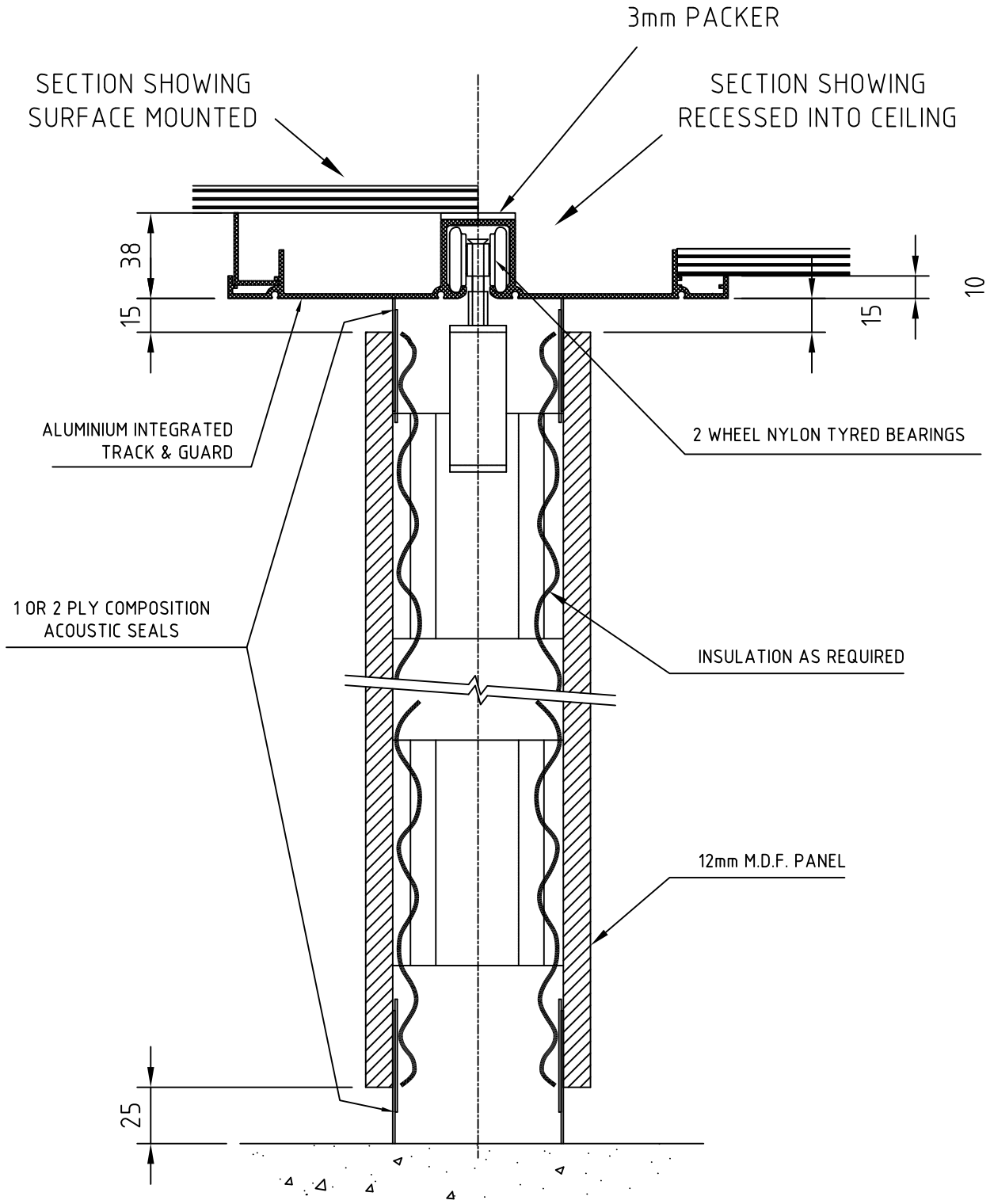
TITLE: **LATCHING**

PRODUCT: **TIMBERLINE ACCORDION**

DRAWING NUMBER: **FA-0104**

SEQUENCE NUMBER: **4**





REV	REVISION REMARKS	DATE

TITLE: **TYPICAL PANEL SECTION**

PRODUCT: **TIMBERLINE ACCORDION**

DRAWING NUMBER: **FA-0105**

SEQUENCE NUMBER: **5**

