

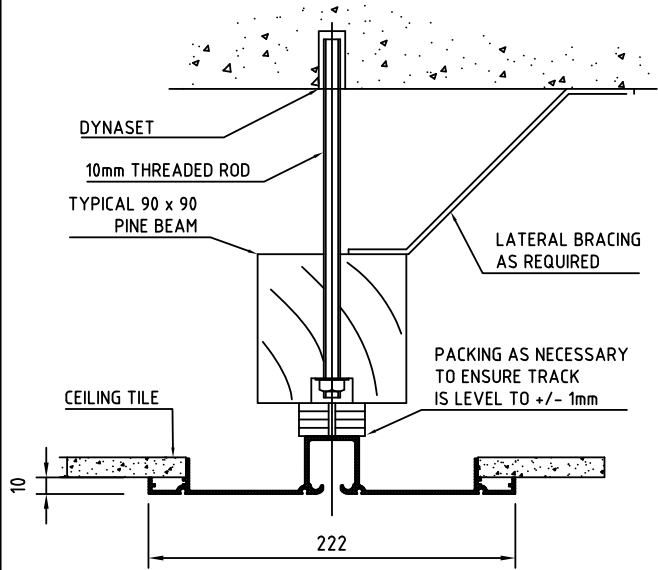
ACOUSTIC ACCORDION DOORS

TECHNICAL MANUAL



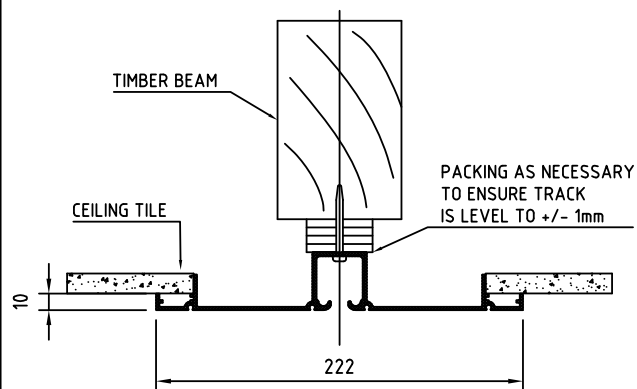
ACOUSTIC ACCORDION DOORS

Drawing Number	DESCRIPTION
FA-0101	Headwork Option
FA-0102	Plan Views - Sheet 1 of 2
FA-0103	Plan Views - Sheet 2 of 2
FA-0104	Latching
FA-0105	Typical Panel Section



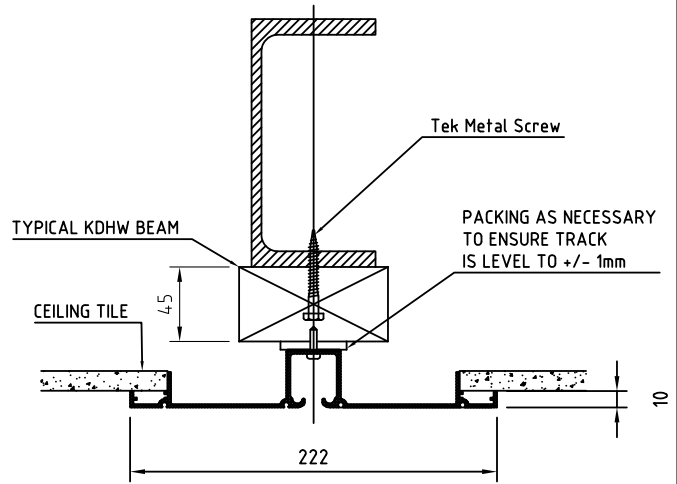
TRACK TO TIMBER FROM CONCRETE

FOR USE IN SUSPENDED CEILINGS
FIXING TO STEEL BEAMS ABOVE
OR ANCHORED INTO CONCRETE ABOVE

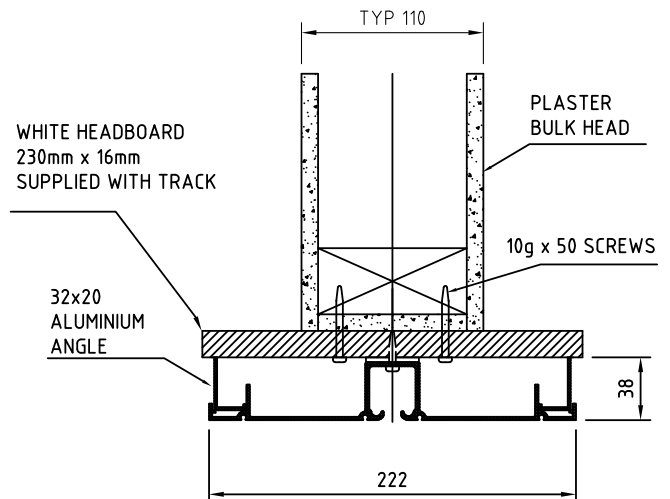


TRACK DIRECT TO TIMBER

WHERE ACCESS ABOVE CEILING IS
DIFFICULT, SUITABLE BEAM MAY BE
SUPPORTED AT EACH END BY SUITABLE
KD HARDWOOD SECTION
(MAXIMUM DEFLECTION 5mm UNDER LOAD)



TRACK TO P.F.C.



SURFACE MOUNTED TRACK

TYPICAL HEADWORK TRACK FIXINGS

- 4.5 X 50 CSK SCREW INTO WHITE HEADBOARD AND INTO OVERHEAD SUPPORT.
- 10G X 50 PAN HEAD INTO TRACK AND OVERHEAD SUPPORT. HOLES ARE FOR PAN HEAD SCREWS ARE PRE-DRILLED.

**ACOUSTIC
ACCORDION DOORS**

TITLE:

HEADWORK OPTION

PRODUCT:

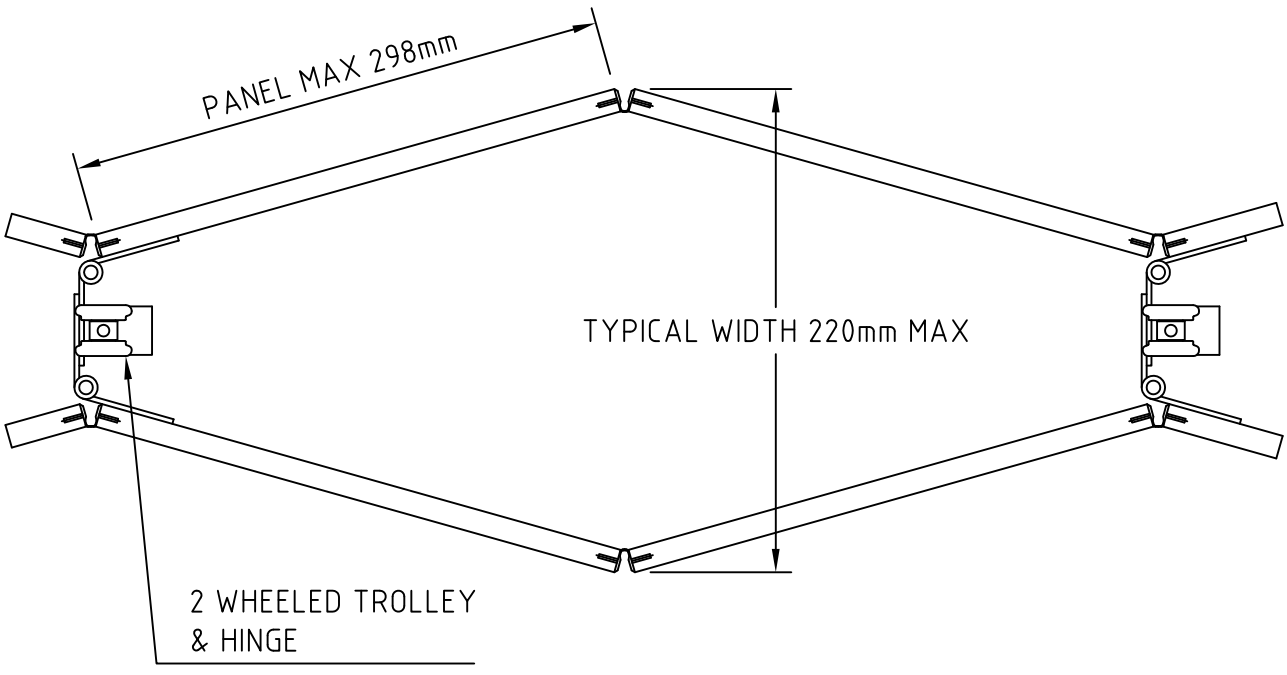
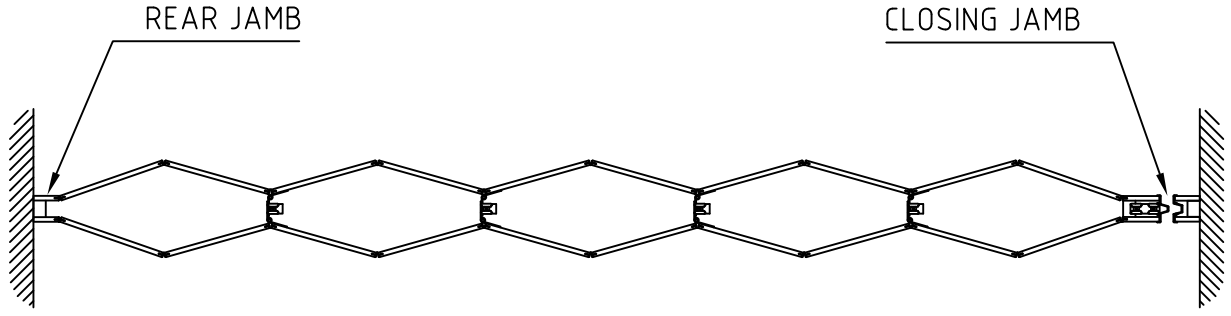
TIMBERLINE ACCORDION

DRAWING NUMBER:

FA-0101

SEQUENCE NUMBER:

1

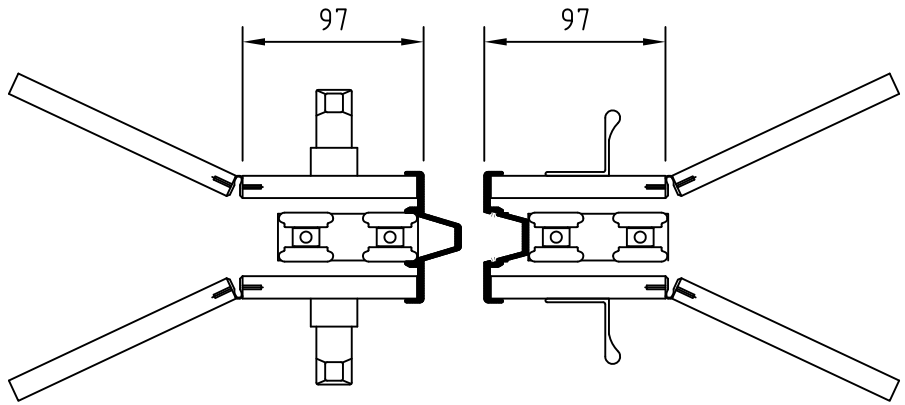


TYPICAL MODULE

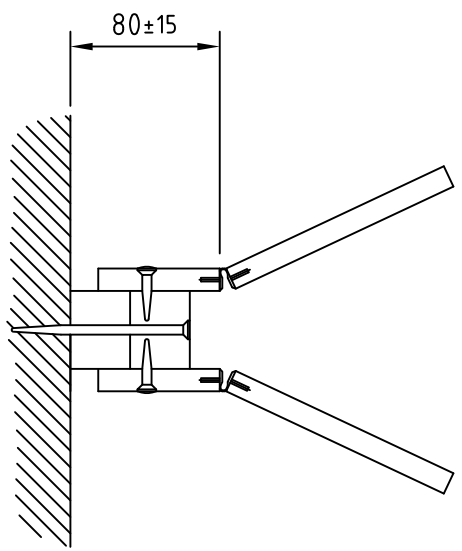


**ACOUSTIC
ACCORDION DOORS**

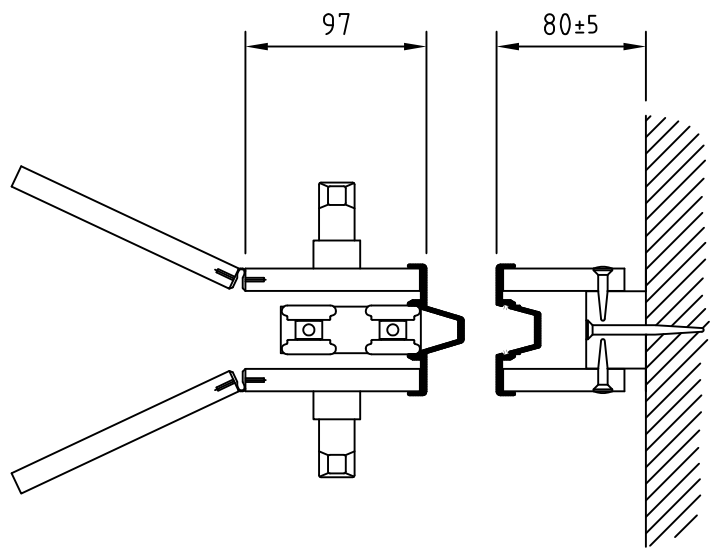
TITLE: PLAN VIEWS - SHEET 1 OF 2	
PRODUCT: TIMBERLINE ACCORDION	
DRAWING NUMBER: FA-0102	SEQUENCE NUMBER: 2



BIPARTING PAIR - CLOSING JAMBS



REAR JAMB

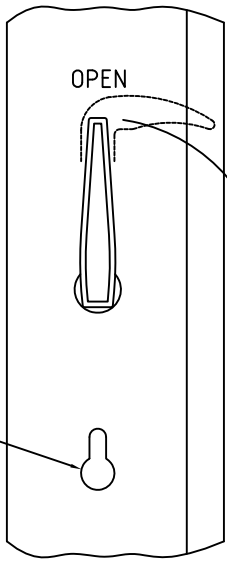


CLOSING JAMB

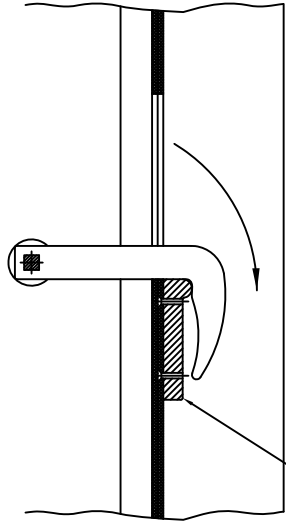


**ACOUSTIC
ACCORDION DOORS**

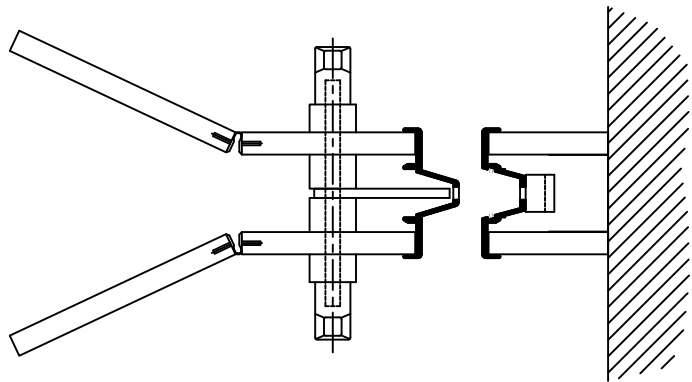
TITLE: PLAN VIEWS - SHEET 2 OF 2	
PRODUCT: TIMBERLINE ACCORDION	
DRAWING NUMBER: FA-0103	SEQUENCE NUMBER: 3



CLOSE



SECTION SHOWING DRAWTIGHT OPERATION



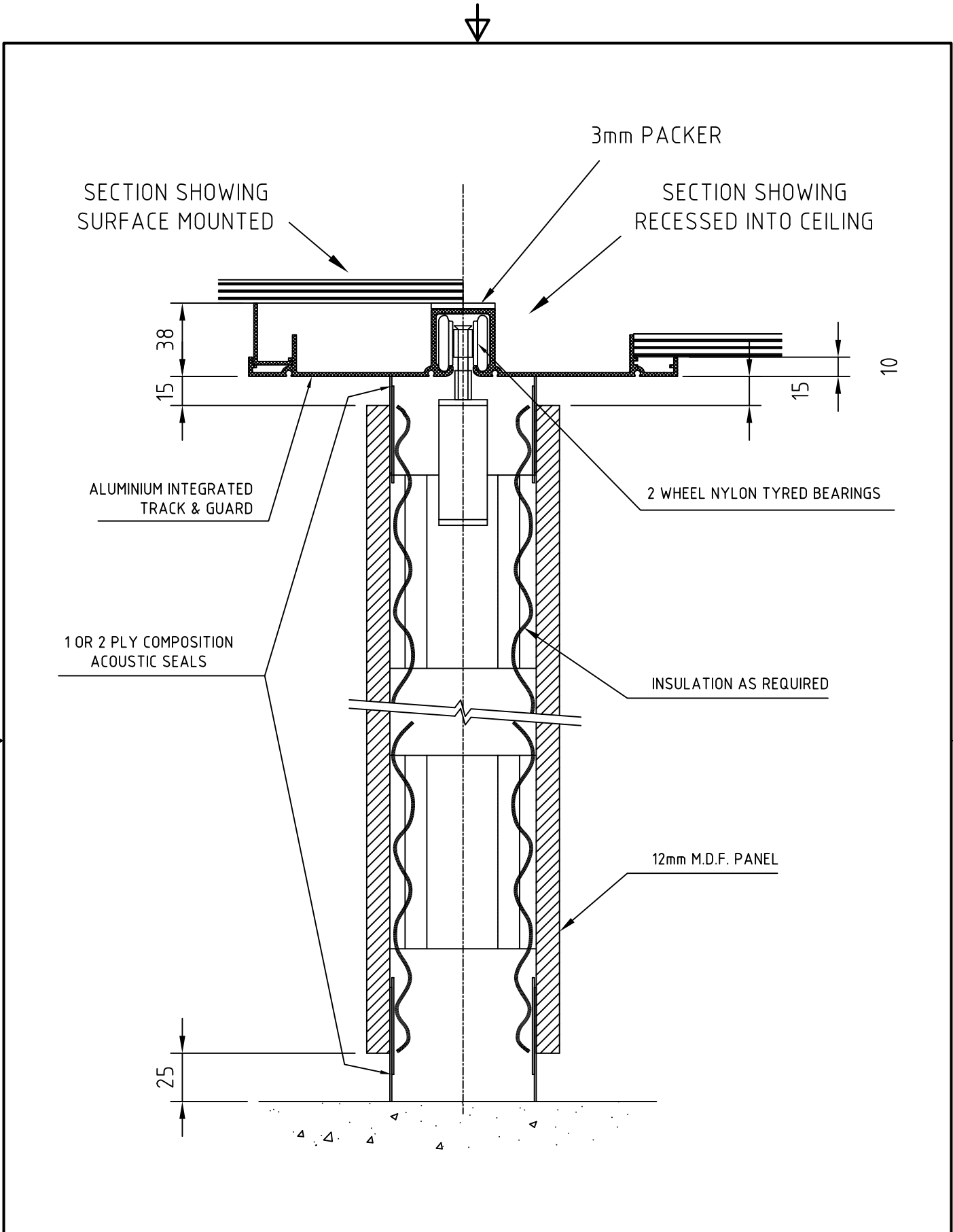
**ACOUSTIC
ACCORDION DOORS**

TITLE: **LATCHING**

PRODUCT: **TIMBERLINE ACCORDION**

DRAWING NUMBER: **FA-0104**

SEQUENCE NUMBER: **4**



**ACOUSTIC
ACCORDION DOORS**

TITLE:

TYPICAL PANEL SECTION

PRODUCT:

TIMBERLINE ACCORDION

DRAWING NUMBER:

FA-0105

SEQUENCE NUMBER:

5