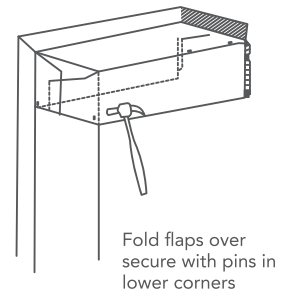
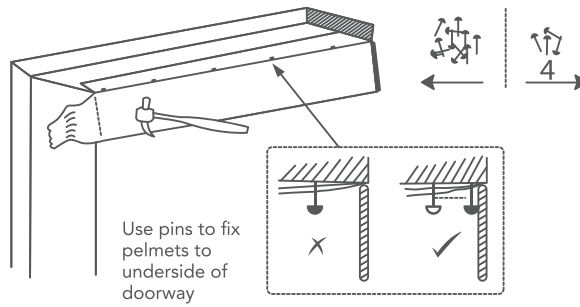
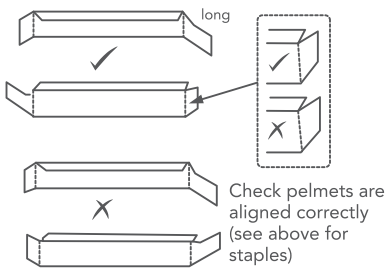


# PREMIUM VINYL CLOTH DOOR INSTALLATION INSTRUCTIONS

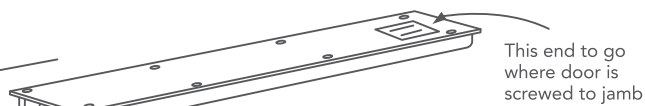
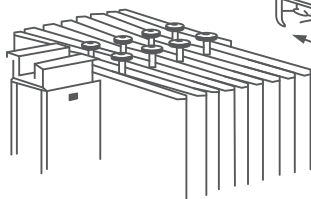


## 1. PELMETS

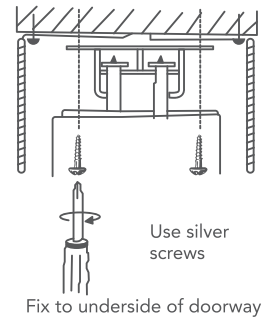
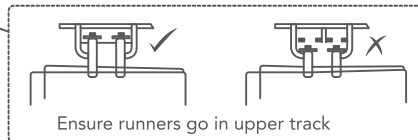


## 2. TRACK

Bunch up door & slide track over runners

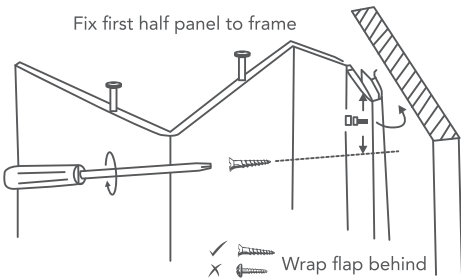


### CARE 1

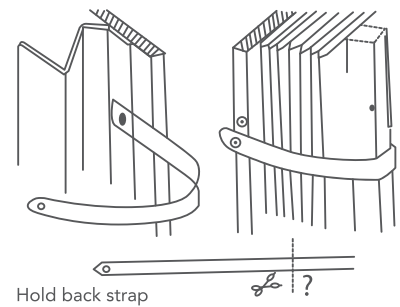
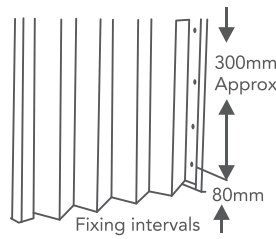


## 3. DOOR

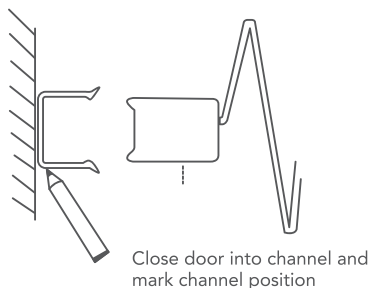
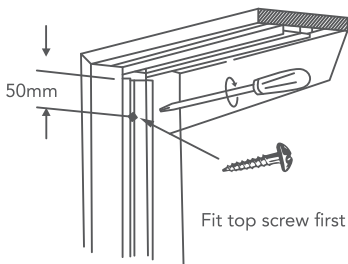
Fix first half panel to frame



Fixing Intervals:  
Star fixing 80mm from bottom & at intervals of approx 300mm as shown

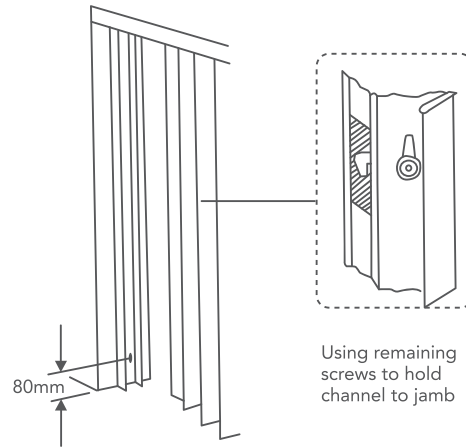
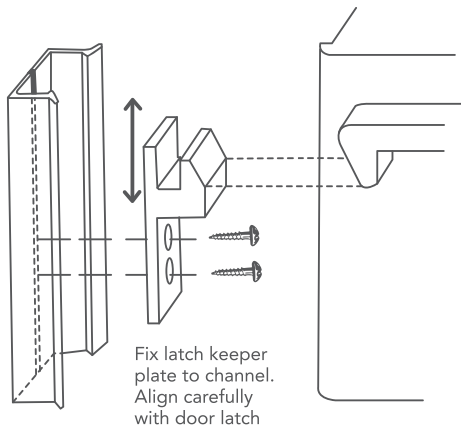


## 4. CHANNEL

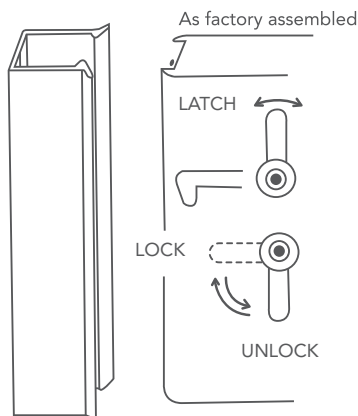


**SEE OVER PAGE FOR  
FITTING OF  
OPTIONAL EXTRA  
LATCHES & LOCKS**

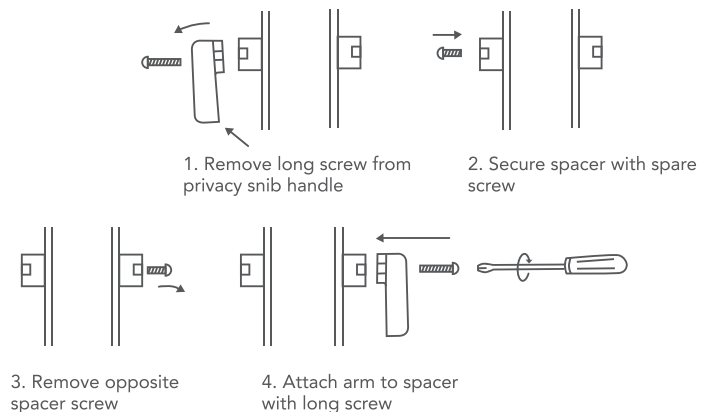
### 1. POSITIVE LATCH



### 2. LATCH & PRIVACY SNIB



To change privacy snib side, follow this sequence carefully



### 3. COMMERCIAL KEYLOCK

