

FOLDING VINYL CLOTH DOORS

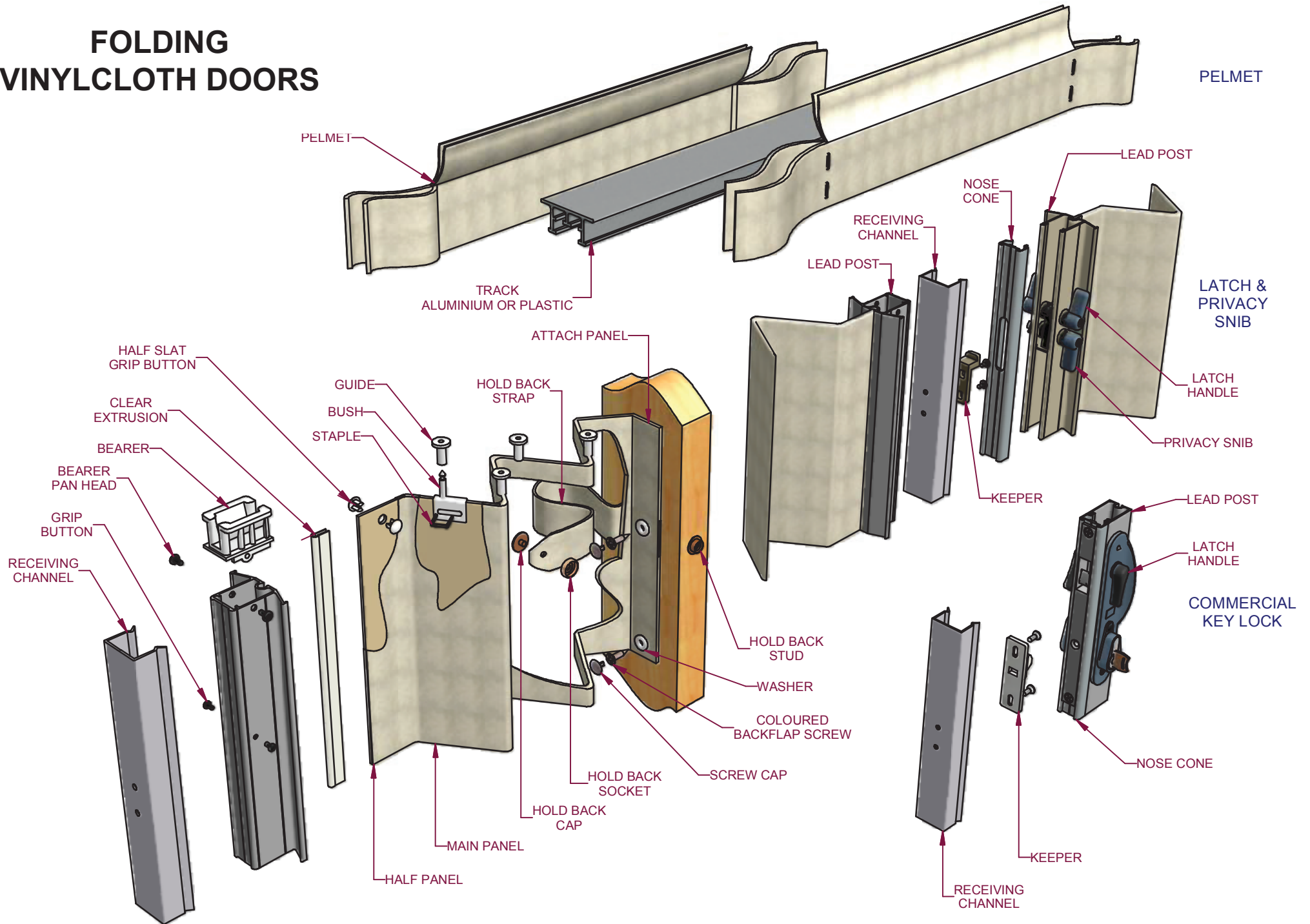
TECHNICAL MANUAL

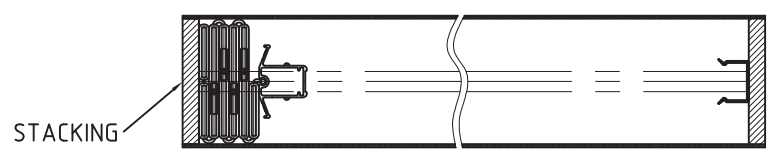
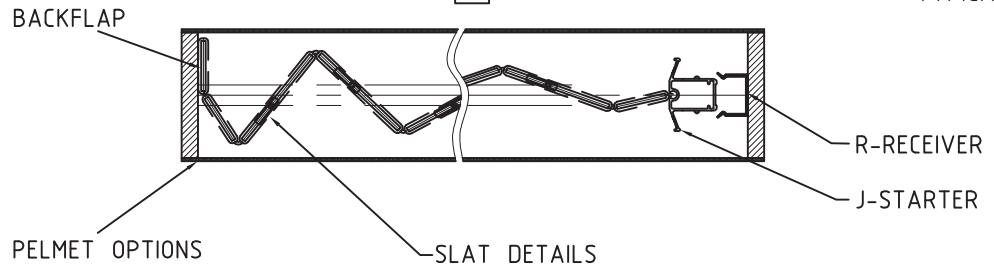
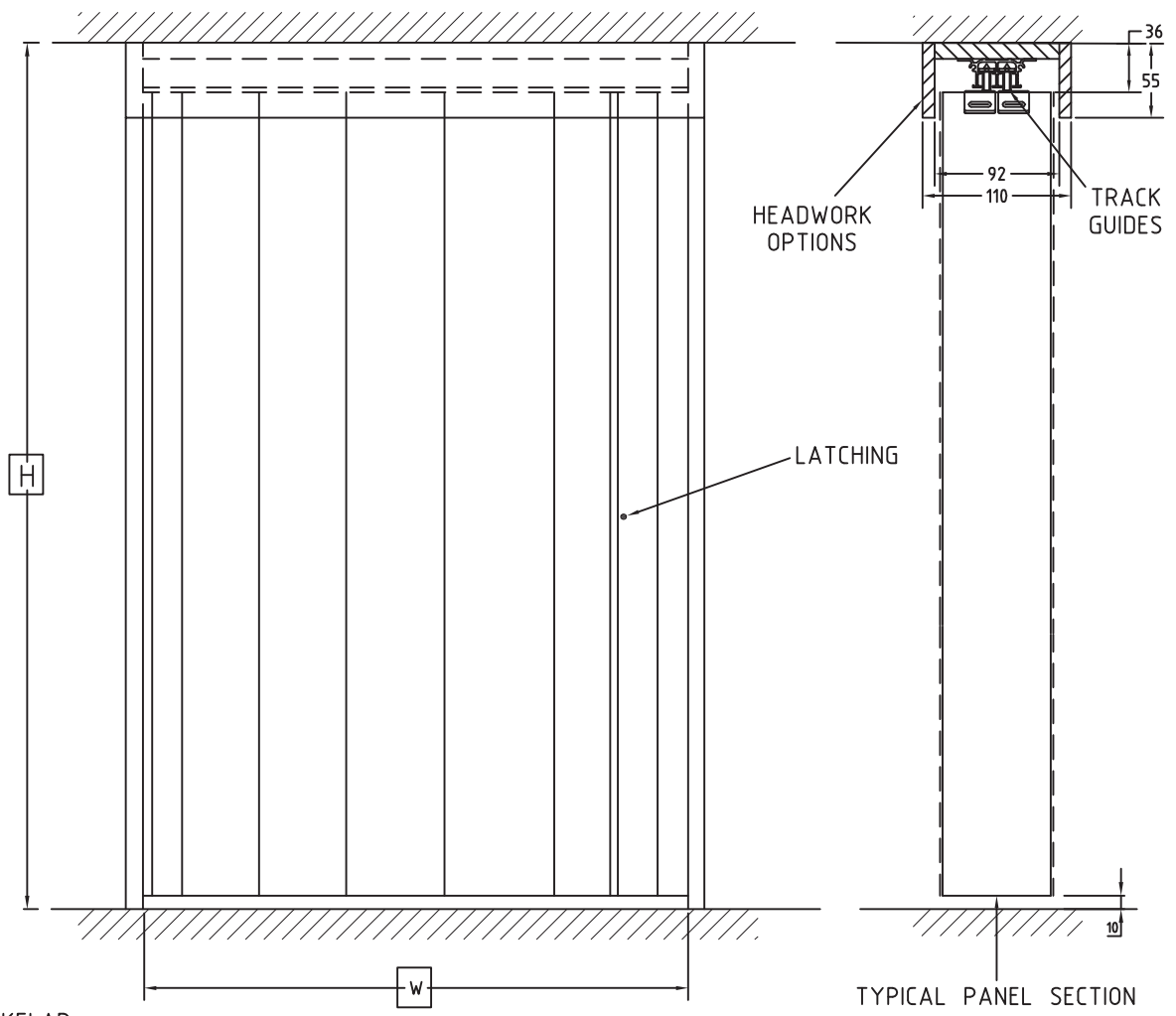


FOLDING VINYL CLOTH DOORS

| Drawing Number | DESCRIPTION |
|----------------|--|
| | Exploded View of Vinylcloth - Colour |
| FV-0601 | Door Assembly |
| FV-0602 | Headwork Option - Surface Mounted Track |
| FV-0603 | Plan Views Sheet 1 of 2 |
| FV-0604 | Plan Views Sheet 2 of 2 |
| FV-0605 | Commercial Keylock |
| | Exploded View of Vinylcloth - Monochrome |
| | |
| | |
| | |
| | |
| | |
| | |
| | |
| | |
| | |

FOLDING VINYL CLOTH DOORS

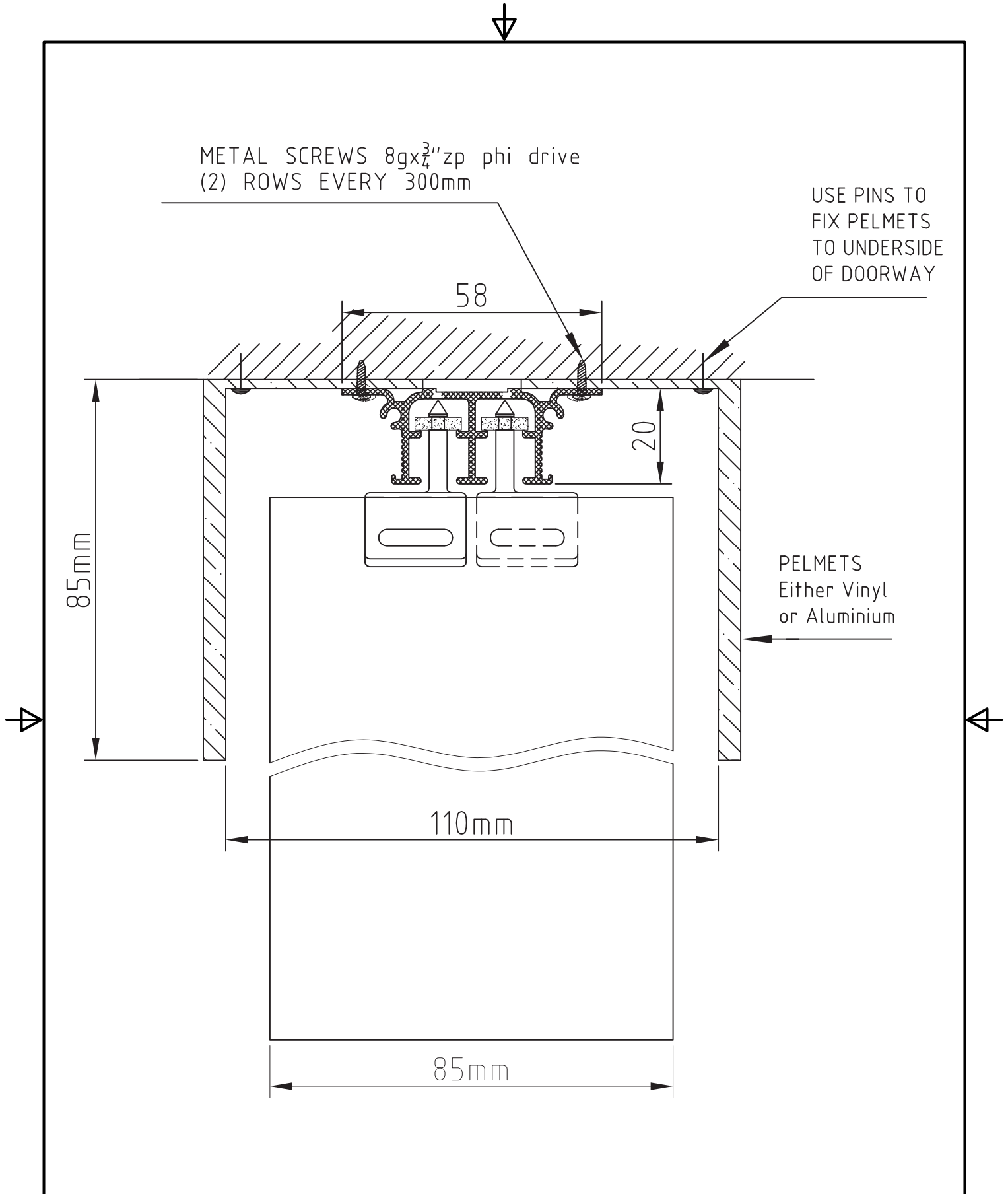




**FOLDING
VINYL CLOTH DOORS**

| | | | |
|-----------------|--|------------------|--|
| TITLE: | | DOOR ASSEMBLY | |
| PRODUCT: | | FOLDING DOORS | |
| DRAWING NUMBER: | | SEQUENCE NUMBER: | |
| FV-0601 | | 1 | |





METAL SCREWS 8gx $\frac{3}{4}$ " zp phi drive
 (2) ROWS EVERY 300mm

USE PINS TO
 FIX PELMETS
 TO UNDERSIDE
 OF DOORWAY

58

20

85mm

PELMETS
 Either Vinyl
 or Aluminium

110mm

85mm

**FOLDING
 VINYL CLOTH DOORS**

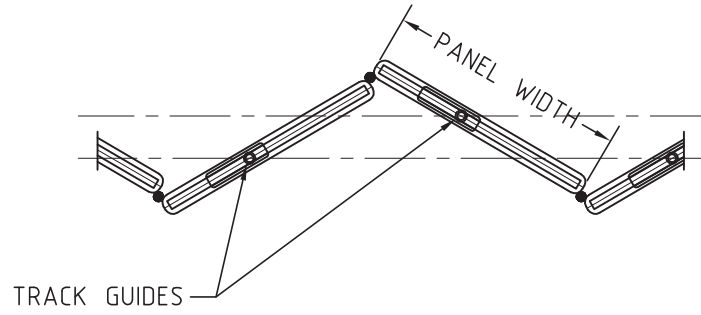
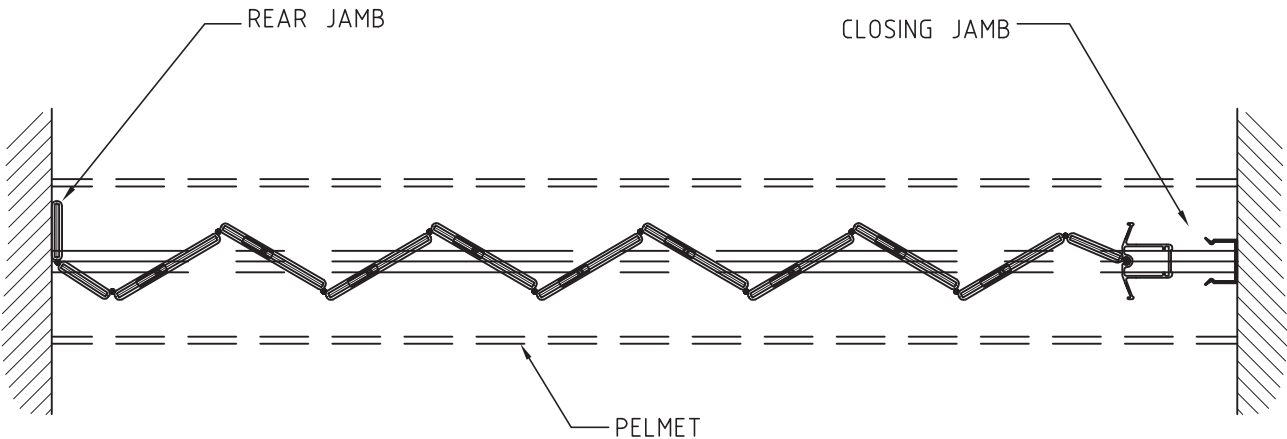
TITLE:
 HEADWORK OPTION - Surface Mounted Track

PRODUCT:
 FOLDING DOORS

DRAWING NUMBER:
 FV-0602

SEQUENCE NUMBER:
 2



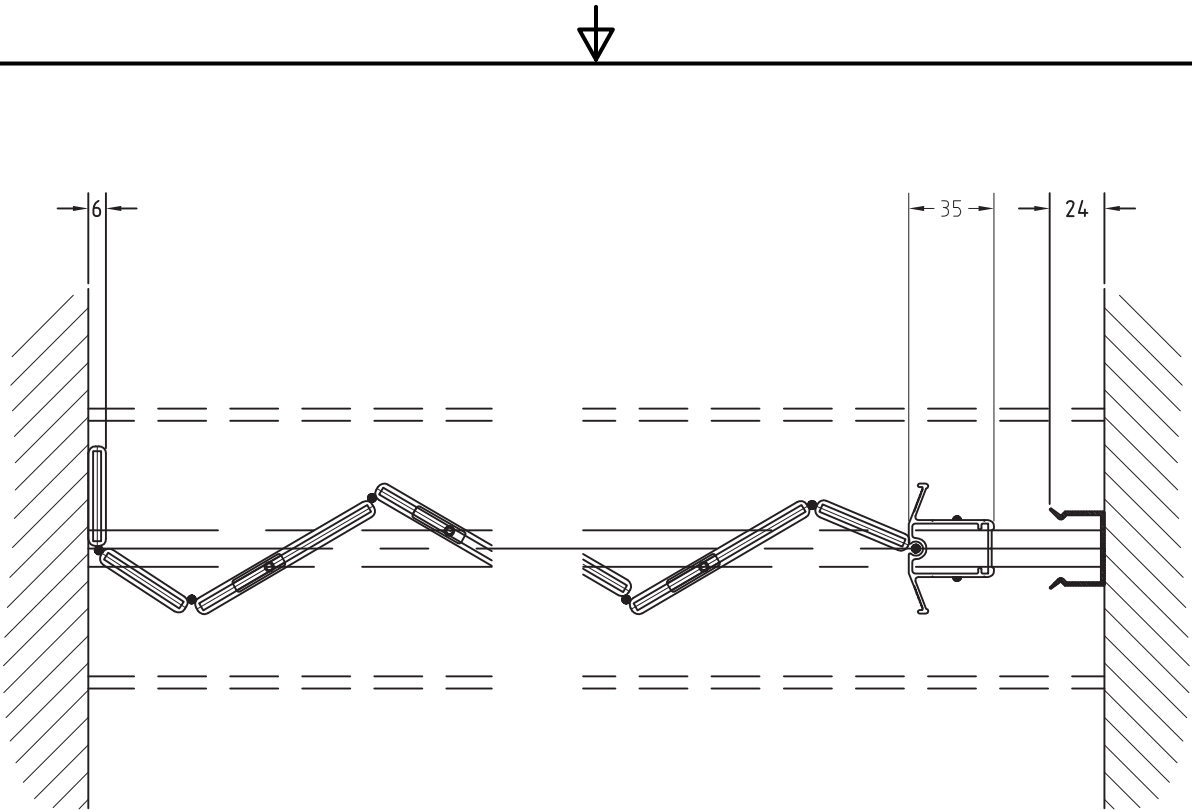


PANEL WIDTH UP TO 3000mm HIGH = 85mm



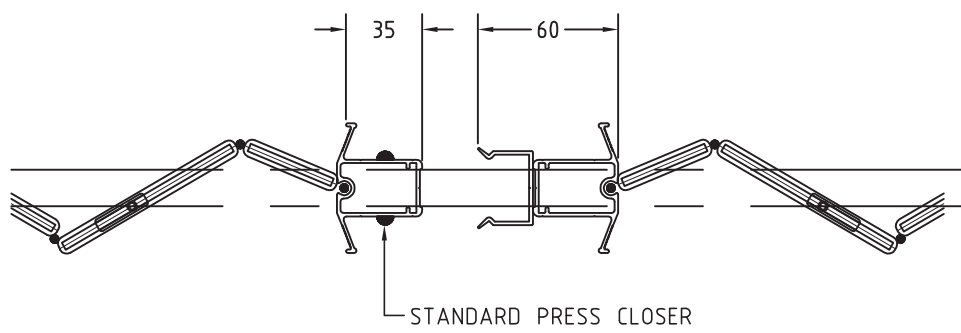
**FOLDING
VINYL CLOTH DOORS**

| | |
|--|------------------------------|
| TITLE: PLAN VIEWS SHEET 1 OF 2 | |
| PRODUCT: FOLDING DOORS | |
| DRAWING NUMBER: FV-0603 | SEQUENCE NUMBER: 3 |



REAR JAMB

CLOSING JAMB



BIPARTING PAIR - CLOSING JAMBS

**FOLDING
VINYL CLOTH DOORS**

TITLE:

PLAN VIEWS SHEET 2 OF 2

PRODUCT:

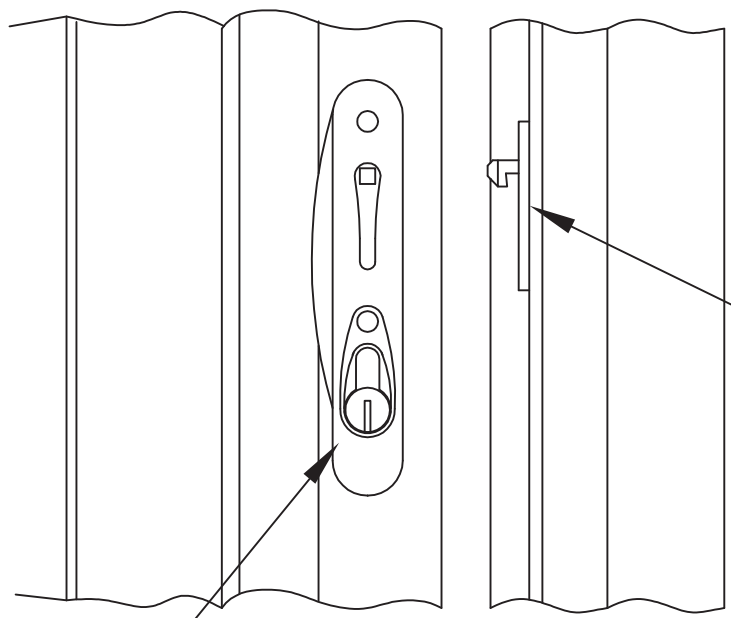
FOLDING DOORS

DRAWING NUMBER:

FV-0604

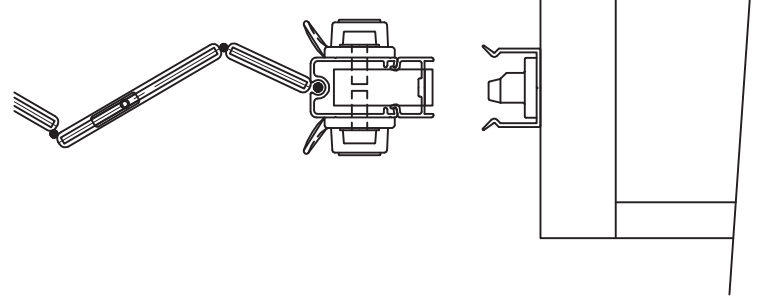
SEQUENCE NUMBER:

4



KEEPER CONTAINED WITHIN JAMB

OPTIONAL KEYLOCK



FOLDING VINYL CLOTH DOORS

TITLE: COMMERCIAL KEYLOCK

PRODUCT: FOLDING DOORS

DRAWING NUMBER: FV-0605

SEQUENCE NUMBER: 5



FOLDING VINYL CLOTH DOORS

